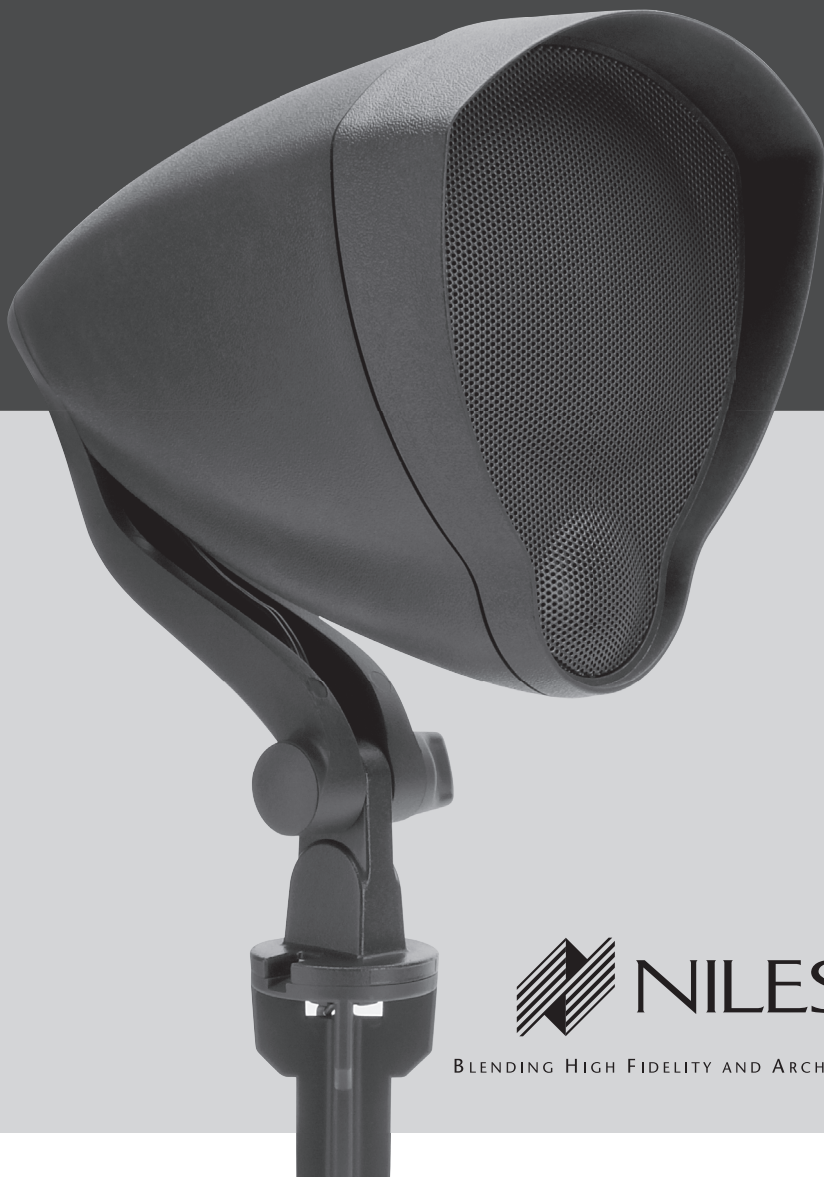


GS

GARDEN SPEAKERS

GS4 INSTALLATION GUIDE



NILES®

BLENDING HIGH FIDELITY AND ARCHITECTURE®

PARTS LIST

- 2 GS4 Satellite Loudspeakers with attached wall-mount brackets
- 2 Mounting Stakes (Optional)
- 2 Pairs of Wire Nuts (Located inside the wall-mount bracket storage cavity)
- 2 Security Plates for Stake Mounting
- 4 #2 Phillips Head, Stainless Steel Wood Screws (Optional)

GS4 SATELLITE INSTALLATION

Once the proper location has been established, choose the appropriate mounting method between surface mounting or using the included ground stake.

SURFACE MOUNTING

The GS4 comes ready for surface mounting. Simply position the base where you would like to install the loudspeaker, making certain to adjust the loudspeaker angle first by loosening the adjustment knob, rotating the loudspeaker to the desired angle, and then re-tightening the knob until it locks in place.

Next, align the wall-mount bracket to the desired location and mark the locations of the two screw holes.

The GS4 weighs approximately 4 lbs (1.8 kg). Any mounting screws or hardware used to secure the loudspeaker should be designed to bear a load with a minimum of 5x this weight (i.e. 20 lbs, or 9 kg) in order to assure a wide margin for safety in an outdoor environment.

Two silicone impregnated wire nuts have been provided inside the special wiring cavity in the wall mount bracket. You can remove them by inserting a flat screwdriver under the cap and slowly prying it up on either side until it opens. All of your wiring connections can be made using the supplied wire nuts and the connections can then be hidden inside the wiring cavity. If the wiring is going to be exposed to the elements, make sure to use properly rated cable. In such an installation, we also recommend sealing the wire nuts with additional silicone.

Mount the loudspeaker bracket on the wall, making sure that the speaker wire is properly routed through the wire raceway on the rear of the bracket before you install it. Care should be taken to make sure that the wire is routed around the screw holes so that the speaker wire is not damaged when you attach it to the wall.

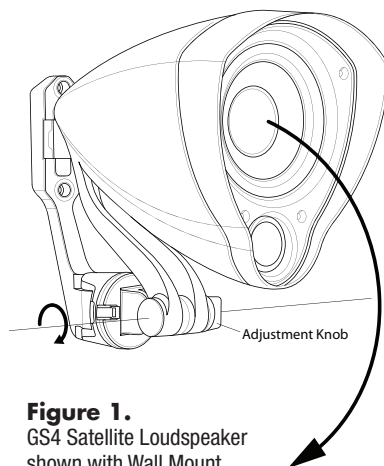


Figure 1.
GS4 Satellite Loudspeaker shown with Wall Mount attachment.

GROUND STAKE MOUNTING

Remove the wall-mount bracket by pressing up on the metal tab adjacent next to the connection base. Once the tab is pressed upward, the bracket will rotate ¼ turn and release from the loudspeaker.

Using a large hammer or mallet, insert the included ground stake into the ground until the top is level with the surface.

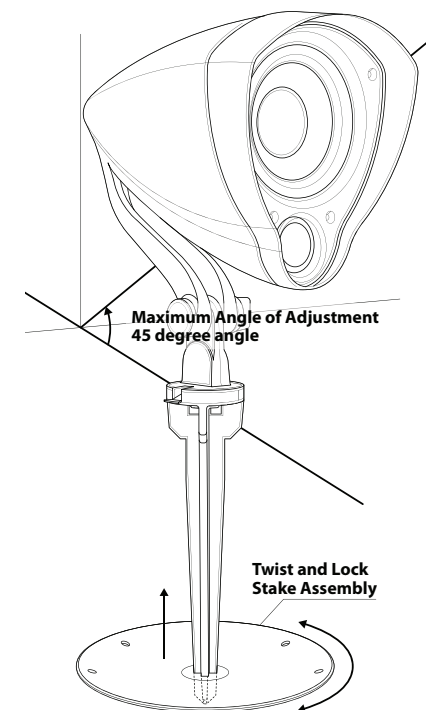
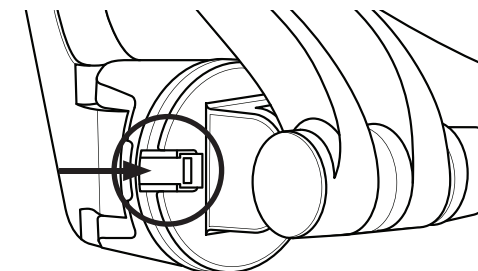
Using Security Mounting Plates -

As an option, you may further secure the GS4 loudspeakers by utilizing the included security plates. To do so:

- 1) Attach each plate to a mounting stake by inserting the stake through the plate and twisting the plate until it locks in place.
- 2) Dig a hole 5" (12.7 cm) wide by 8" (20.3 cm) deep. Confirm the wire routing for the loudspeaker is correct. Place the mounting stake with attached security plate in the hole and pack firmly with dirt or for extra security, concrete.

Route the speaker wire through the center hole of the mounting stake and then attach the loudspeaker to the mounting stake by aligning the holes and slot with the mounting tab and turning the loudspeaker a ¼ turn until the tab locks in place.

Adjust the loudspeaker angle by loosening its adjustment knob and placing it into the desired position. While the loudspeaker itself can withstand extreme temperatures, the loudspeaker should not be placed at an angle greater than 45° above a horizontal position in order to prevent the possibility of excessive amounts of water staying within the top housing and freezing in cold environments, which could damage the loudspeaker.



CONNECTING THE LOUDSPEAKER

NOTE: ALL LOUDSPEAKER CONNECTIONS MUST BE MADE WITH THE AMPLIFIER TURNED OFF FOR SAFETY.

All cables run outdoors or buried should be properly certified for such use. If you have any questions regarding which cable is appropriate for your installation, please consult with a professional. Make certain that there are no obstructions in the planned wiring location before proceeding. Many states and municipalities have specific notification requirements before digging. Make sure to check with your local building authorities as required prior to digging.

Connect the wire from the amplifier to your loudspeaker making sure to match polarity so that the negative wire from the amplifier (normally black) matches with the negative wire from the loudspeaker and do the same with the positive wires. Final connections should be made with either silicone filled wire connectors, or the appropriate junction boxes.

After all loudspeaker connections have been made, connect the wires to your amplifier and power on your amplifier. Verify the satisfactory performance of each loudspeaker before covering any exposed trenches or conduit used for your wiring.

SPECIFICATIONS

Tweeter:	1" Wide Dispersion Soft Dome
Woofer:	4" Mineral-Filled Polypropylene
Recommended Amplifier Power:	10-110 watts
Frequency Response:	70Hz to 21kHz +/- 3dB
Product Weight:	4 lbs (1.8 kg)

GS4 FEATURES

- Custom designed, UV-resistant acoustic enclosure
- 4" Mineral-Filled Polypropylene Woofer for long-lasting performance with deep, rich sound.
- 1" Teteron® tweeter with ultra-wide dispersion to maximize the sound quality in an outdoor environment
- Dual mounting options (included): stake mounted for in-ground use, wall-mount bracket to attach against any flat surface
- Weatherproof design assures reliable performance outdoors
- UV-Resistant connection cables with waterproof wire-nuts to ensure trouble free, long-lasting connections.

WIRING REQUIREMENTS

2-conductor direct burial cable at the following sizes depending on the longest length of cable required:

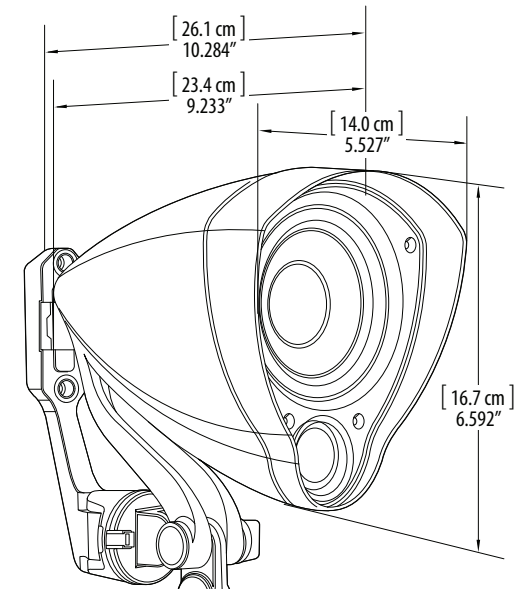
Wire Gauge	Maximum Length
16	60 ft (18 m)
14	100 ft (30 m)
12	160 ft (50 m)

TEMPERATURE EXTREMES

-50°F to 185°F (-45° to 85° Celsius)

PRODUCT DIMENSIONS

10-3/4" H x 5-1/2" W x 9" D (27.3 cm x 14 cm x 22.9 cm)



PRODUCT WEIGHT

4lbs (1.8 kg)

NOTES

BY PHONE (IN USA)

1-800-BUY-HIFI (289-4434)

BY PHONE (OUTSIDE USA)

1-760-710-0992

CUSTOMER SERVICE HOURS

8:00 AM to 5:30 PM PT

TECHNICAL SUPPORT HOURS

6:00 AM to 4:00 PM PT

ON THE WEB

www.nilesaudio.com

EMAIL TECHNICAL SUPPORT

techsupport@nilesaudio.com

EMAIL FOR PRODUCT SUGGESTIONS

productsuggestions@nilesaudio.com



BLENDING HIGH FIDELITY AND ARCHITECTURE®

1969 Kellogg Avenue, Carlsbad, CA 92008
1-760-710-0992

1-800-BUY-HIFI - www.nilesaudio.com

©2011 The AVC Group, LLC. All rights reserved. Niles and the Niles logos are registered trademarks of The AVC Group, LLC. All other trademarks are the property of their respective owners. We reserve the right to change specifications, descriptions and prices without notice. The technical and other information contained herein is not intended to set forth all technical and other specifications. Designed and engineered in the USA. 9901210 Rev A