

SIM2xTV



User Guide

(EN/4.4)



Contents

2	Important Information
2	About this User Guide
2	Safety
4	3D Content
4	Usage Notice
6	Introduction
6	Packaging Overview
7	Product Overview
8	Input/output connections
9	Remote Control
11	Batteries
12	Installation
12	Location
12	Mounting
14	Installing SIM2xTV
17	Adjusting the projected image
18	Connections
20	Powering On/Off the projector
21	User Control
21	OSD Menu Operation
22	Picture
26	Sound
27	3D
29	Setting
31	Appendices
31	Regulation & Safety Notices
32	Trademarks
32	Maintenance
33	Specifications

1 Important information

About this User Guide

This User Guide describes how to set up and operate the following projectors:

- SIM2xTV (freestanding version)

Except where otherwise indicated, the information in this guide applies to all the projectors listed above, that will be referred to as “SIM2xTV”.

Information contained in this User Guide may be updated from time to time due to product improvements and customer feedback. Visit www.sim2xtv.com or www.sim2.com to find the latest version of this document.

This document contains proprietary information protected by copyright. All rights are reserved.

All trademarks and registered trademarks are the property of their respective owners.

Safety



The lightning flash with arrow head within an equilateral triangle is intended to alert the user to the presence of uninsulated “dangerous voltage” within the product’s enclosure that may be of sufficient magnitude to constitute a risk of electric shock to persons.



The exclamation point within an equilateral triangle is intended to alert the user to the presence of important operating and maintenance (servicing) instructions in the literature accompanying the appliance.

WARNING: TO REDUCE THE RISK OF FIRE OR ELECTRIC SHOCK, DO NOT EXPOSE THIS APPLIANCE TO RAIN OR MOISTURE. DANGEROUS HIGH VOLTAGES ARE PRESENT INSIDE THE ENCLOSURE. DO NOT OPEN THE CABINET. REFER SERVICING TO QUALIFIED PERSONNEL ONLY.

Warning and explanation label



Class B emissions limits

This Class B digital apparatus meets all requirements of the Canadian Interference-Causing Equipment Regulations.

WARNING - Important Safety Instruction

1. This projector is a Class 2 laser device that conforms with IEC 60825-1:2007 and CFR 1040.10 and 1040.11.
2. Class 2 laser product, do not stare into beam. The bright light may result in permanent eye damage, when the projector is on.
3. This projector has built-in laser module. Disassembly or modification is very dangerous and should never be attempted.
4. Do not open or disassemble the projector as this may cause damage by the exposure of laser radiation. Any operation or adjustment not specifically instructed by the user's guide creates the risk of hazardous laser radiation exposure.
5. Without following the control, adjustment or operation procedure, may cause damage by the exposure of laser radiation.
6. Do not block any ventilation openings. To ensure reliable operation of the projector and to protect from over heating, it is recommended to install the projector in a location that does not block ventilation. As an example, do not place the projector on a crowded coffee table, sofa, bed, etc. Do not put the projector in an enclosure such as a book case or a cabinet that restricts air flow.
7. Do not use the projector near water or moisture. To reduce the risk of fire and/or electric shock, do not expose the projector to rain or moisture.
8. Do not install near heat sources such as radiators, heaters, stoves or any other apparatus such as amplifiers that emits heat.
9. Clean using only our cleaning kit accessory.
10. Only use attachments/accessories specified by the manufacturer.
11. Do not use the unit if it has been physically damaged or abused. Physical damage/abuse would be (but not limited to):
 - Unit has been dropped.
 - Power supply cord or plug has been damaged.
 - Liquid has been spilled on to the projector.
 - Projector has been exposed to rain or moisture.
 - Something has fallen in the projector or something is loose inside.Do not attempt to service the unit yourself. Opening or removing covers may expose you to dangerous voltages or other hazards.
12. Do not let objects or liquids enter the projector. They may touch dangerous voltage points and short out parts that could result in fire or electric shock.
13. See projector enclosure for safety related markings.
14. The unit should only be repaired by appropriate service personnel. Adequate instructions for assembly, operation and maintenance, including clear warnings concerning precautions to avoid possible exposure to laser and collateral radiation in excess of the accessible emission limits in Class 2.

3D content

Discomfort (such as eye strain, headaches, motion sickness, nausea, dizziness, disorientation) may be experienced while watching 3D content. In this case, stop watching and consult a doctor if symptoms are severe.

Consult a doctor before allowing young children (especially those under six years old) to watch 3D content as their visual system is still under development.

Monitor children (including teenagers) watching 3D content, as they are more at risk of experiencing discomfort and less inclined to report symptoms.

Individuals who may be susceptible to epileptic seizures or strokes (on the basis of personal and family history) should consult a doctor before watching 3D content.

All viewers should take regular breaks from watching 3D content. Length and frequency of these breaks may vary from person to person.

Usage Notice

Precautions



The lightning flash with arrow head within an equilateral triangle is intended to alert the user to the presence of uninsulated “dangerous voltage” within the product’s enclosure that may be of sufficient magnitude to constitute a risk of electric shock to persons.

WARNING - Do not look into the projector’s lens when the LASER is on. The bright light may hurt your eyes.

WARNING - To reduce the risk of fire or electric shock, do not expose this projector to rain or moisture.

WARNING - Please do not open or disassemble the projector as this may cause electric shock.

Do

- Turn off and unplug the power plug from the AC outlet before cleaning the product.
- Use a soft dry cloth with mild detergent to clean the display housing.
- Disconnect the power plug from AC outlet if the product is not being used for a long period of time.
- Use under the following conditions:
 1. Ensure that the ambient room temperature is within 5°C ~ 35°C.
 2. Relative humidity is 10% ~ 90% RH, not condensing.

Do not

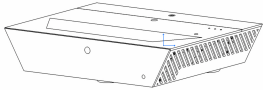
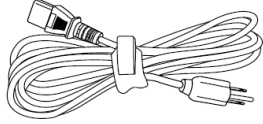
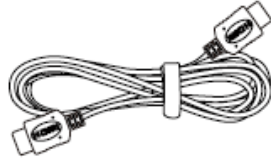

- Block the slots and openings on the unit provided for ventilation.
- Use abrasive cleaners, waxes or solvents to clean the unit.
- Use under the following conditions:
 - In areas susceptible to excessive dust and dirt.
 - Near any appliance generating a strong magnetic field.
 - In direct sunlight.

2 Introduction

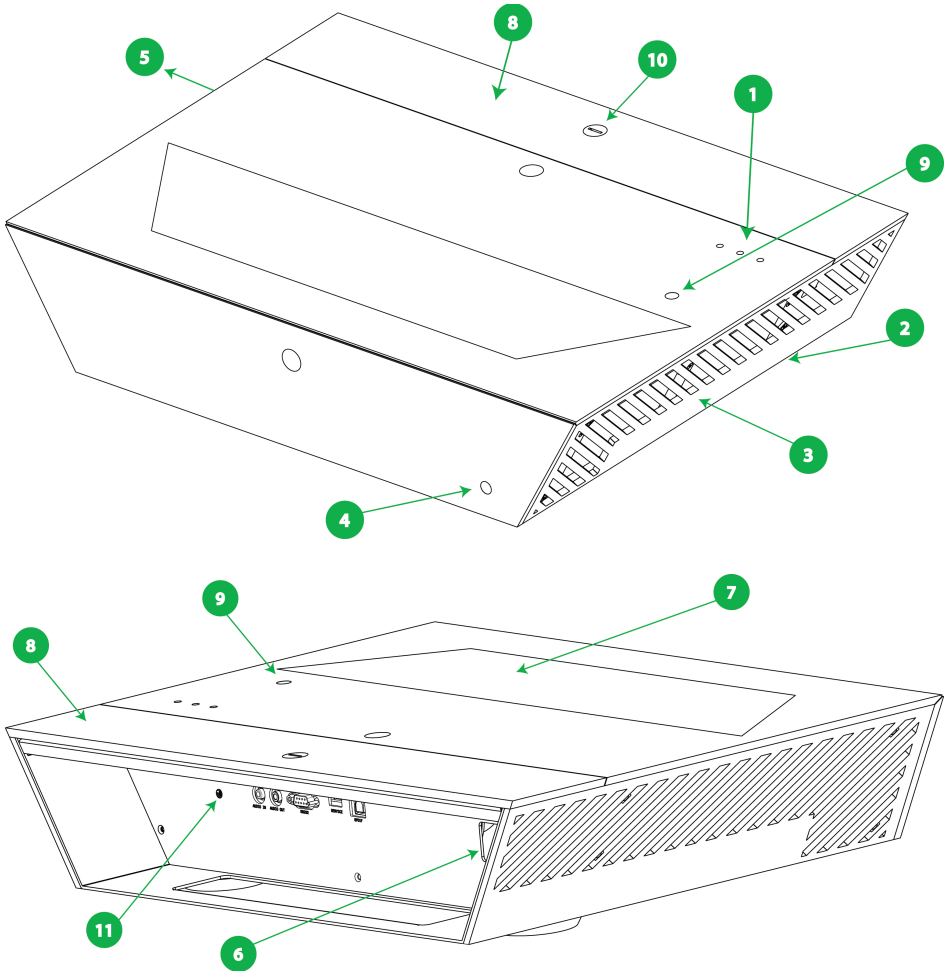
Packaging Overview

Unpack and inspect the box contents to ensure all parts listed below are in the box. If something is missing, please contact the nearest customer service center.

Note: Due to different applications in each country, some regions may have different accessories.

		
Projector	Power cord	HDMI
User Manual		Gloves Microfiber cleaning cloth
Documentation	Remote Control & batteries	Cleaning Kit

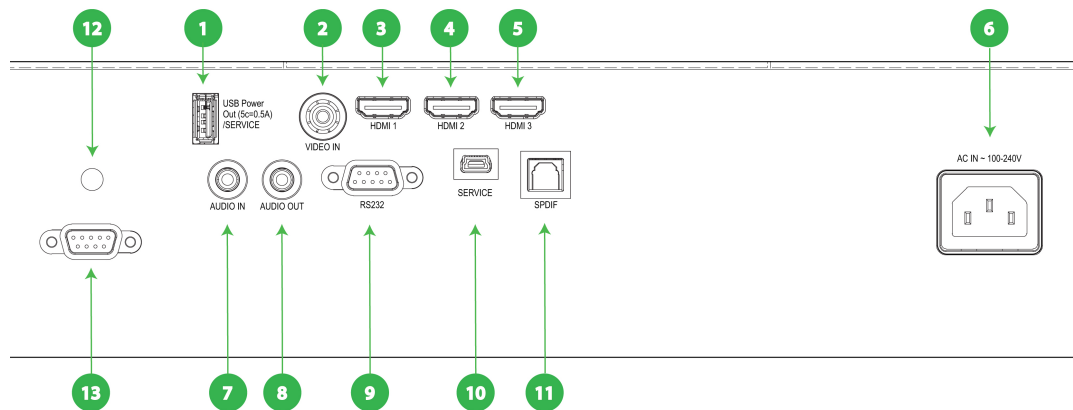
Product Overview



- 1. Control Panel
- 2. Focus adjustment (hidden underneath the cabinet)
- 3. Ventilation (inlet)
- 4. Front Infrared receiver
- 5. Ventilation (outlet)
- 6. Power Socket
- 7. Lens
- 8. Inputs glass cover (removable)
- 9. Top Infrared receiver
- 10. Screw to lock/remove the Inputs glass cover
- 11. Rear Infrared receiver

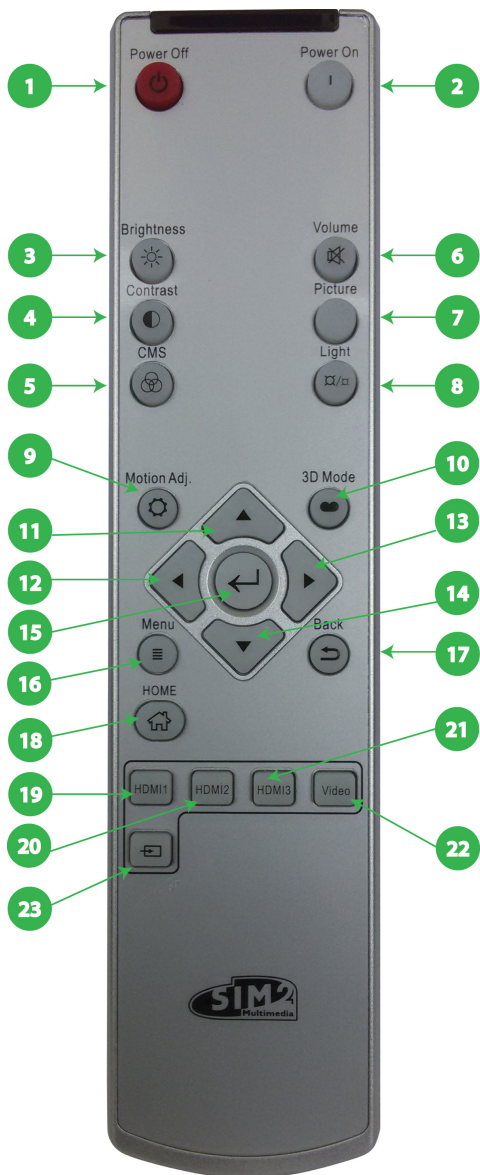
Input/output connections

To access SIM2xTV inputs/outputs, please remove the “inputs glass cover” (see item 8 in the previous page).



1. USB (service only)
2. Video In
3. HDMI 1 input connector
4. HDMI 2 input connector
5. HDMI 3 input connector
6. Power Socket
7. Audio input connector (3.5 mm Mini Jack)
8. Audio Output connector (3.5 mm Mini Jack)
9. RS 232 connector (9 pin DIN type – service only)
10. Service connector
11. Digital audio output
12. Infrared receiver
13. RS232 connector (9 pin DIN type – to control the unit)

Remote Control



1	Power Off
2	Power On
3	Brightness
4	Contrast
5	CMS
6	Volume Mute
7	Picture
8	Light
9	Motion Adj.
10	3D Mode
11	Up
12	Left / Volume -
13	Right / Volume +
14	Down
15	OK/Select
16	Menu
17	Back
18	Home Page
19	HDMI1
20	HDMI2
21	HDMI3
22	Video
23	Signal Source

Remote control

1	Power Off	Turn Off the projector
2	Power On	Turn On the projector
3	Brightness	Adjust the brightness of the image (enabled in User's Picture Mode)
4	Contrast	Control the degree of difference between the lightest and darkest parts of the picture (enabled in User's Picture Mode)
5	CMS	Change the color temperature from Nature, Warm and Cold (enabled in User's Picture Mode)
6	Volume Mute	Set volume in mute status
7	Picture Mode	Select one of factory presets optimized for various types of images: natural, dynamic, cinema, game, computer, sports, and user.
8	Light	Change the light source value (enabled in User's Picture Mode)
9	Motion Adj.	Choose the Motion Adjustment value, specifically for fast-action material, yields smooth motion, free from smear or judder
10	3D Mode	Manually select a 3D mode that matches your 3D content
11	Up	Up arrow for Menu
12	Left / Volume -	Left arrow for Menu or adjust to decrease the volume.
13	Right / Volume +	Right arrow for Menu or adjust to increase the volume.
14	Down	Down arrow for Menu
15	OK/Select	Confirm the selected items
16	Menu	Enable screen display (OSD) menu by pressing "Menu". Press "Menu" again to exit OSD
17	Back	Back to Channel
18	Home Page	Back to Home's OSD Page and re-sync the signal
19	HDMI1	Press "HDMI 1" to choose source from HDMI 1 connector
20	HDMI2	Press "HDMI 2" to choose source from HDMI 2 connector
21	HDMI3	Press "HDMI 3" to choose source from HDMI 3 connector
22	Video	Press "Video" to choose source from Video connector
23	Signal source	Select signal based on the signal source

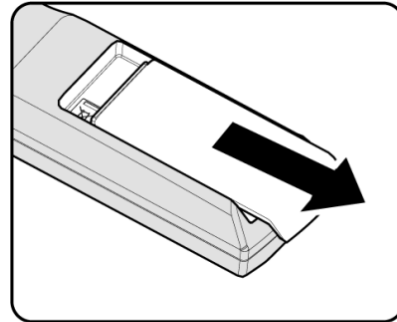
Batteries

To install batteries in the remote control:

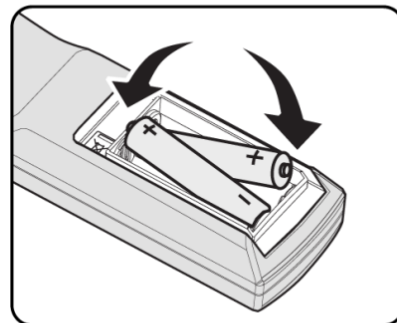
- Open the battery cover.
- Insert two AAA (LR03) batteries making sure the polarities match the + marks inside the battery compartment.
- Close the battery cover.

Replace the batteries with new ones when the operating range of the remote control decreases. Replace only with the same or equivalent type recommended by the manufacturer. Dispose of used batteries according to local regulations. Make sure you do not mix old and new batteries or different types of batteries.

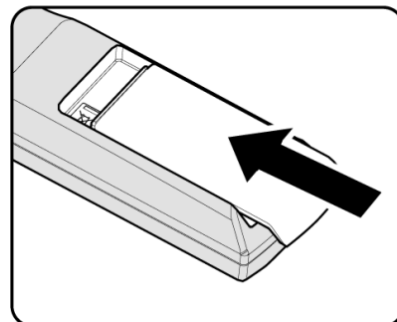
Remove the battery compartment cover by sliding the cover in the direction of the arrow.



Insert the batteries paying attention to the positive pole.



Reinsert the compartment cover by sliding the cover in the direction of the arrow.



Warning: If you will not use the remote control for a long time, remove the batteries to avoid battery leakage. When you dispose of the battery, you must obey the law in the relative area or country.

3 Installation

This section provides instructions for the installation of the SIM2xTV display.

Important: Installation procedures should be performed by a qualified AV system specialist.

Location

When installing the SIM2xTV display, take the following considerations into account.

Installation Type

Select the installation type that best suits your needs:

- front or rear projection
- floor or ceiling mount

Cooling

Make sure that the planned location for the projector has adequate ventilation. Check that room temperature is below 35° C and that the projector is away from heating vents. Ensure a minimum 0.10 m (3.9 in.) clearance on the left and right sides of the projector.

Power Outlets

Verify that the power outlets are grounded and preferably shielded from power surges and fluctuations. A UPS is optional. SIM2xTV power supply operates on any nominal line voltage between 100-240 V AC, 50-60 Hz.

Cables

Check planned cable lengths for video and control cables and make sure these lengths do not exceed specifications.

Ambient Light

Avoid or minimize light sources directed at the screen to preserve the quality of the projected image.

Mounting

The projector can be Floor mounted (upright) or Ceiling mounted (inverted). Choose the method that best suits your installation.

The SIM2xTV projector has been design to be submit the EN60950/UL950 Safety Norms with it's glass cabinet.

To determine where to position the projector, consider the size and shape of your screen, the location of your power outlets, and the distance between the projector and the rest of your equipment.

Important: The projection lens is not centered to the chassis (see “ Dimensions” on page 15 for details). Make sure the centerline of the lens is centered horizontally to the center of the screen.

Floor Mounting

Place the projector on a secure and flat surface (such as a table or a shelf). Adjust the three elevator feet at the bottom of the projector until the projector is leveled on all sides. Rotate the adjustable feet clockwise to raise the projector or counter clockwise to lower it. Repeat with the remaining feet as needed to obtain the correct image geometry. See page 17 for additional information.

Ceiling Mounting

Invert the projector and suspend it from the ceiling using a specific bracket.

- To fit the bracket unscrew and remove the 3 elevator feet.
- Attach bracket by using 3 x M6 screws not exceeding 15 mm in thread length.
- Leave enough space between the bracket and the SIM2xTV to access the focus adjustment knob.



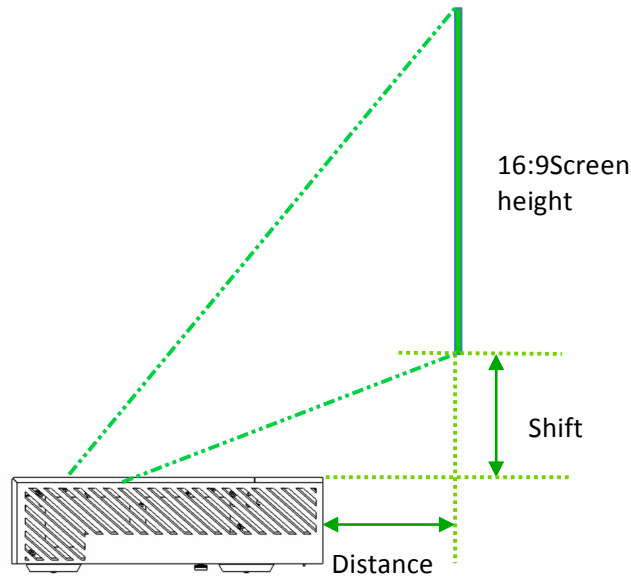
For ceiling mounting use only SIM2-approved ceiling brackets and adhere to the installation instructions and safety guidelines provided with the bracket. Do not over-tighten the screws.

Orientation

By default, the SIM2xTV is configured for a Front installation (projector installed upright and in front of the screen). If the projector is installed behind the screen or inverted, you can use the image orientation function of the projector.

Installing SIM2xTV

The installation distance between the SIM2xTV and the projection surface varies depending on the projection size. Install the SIM2xTV so that it fits the desired projection size and so that the unit is parallel to the projection surface.



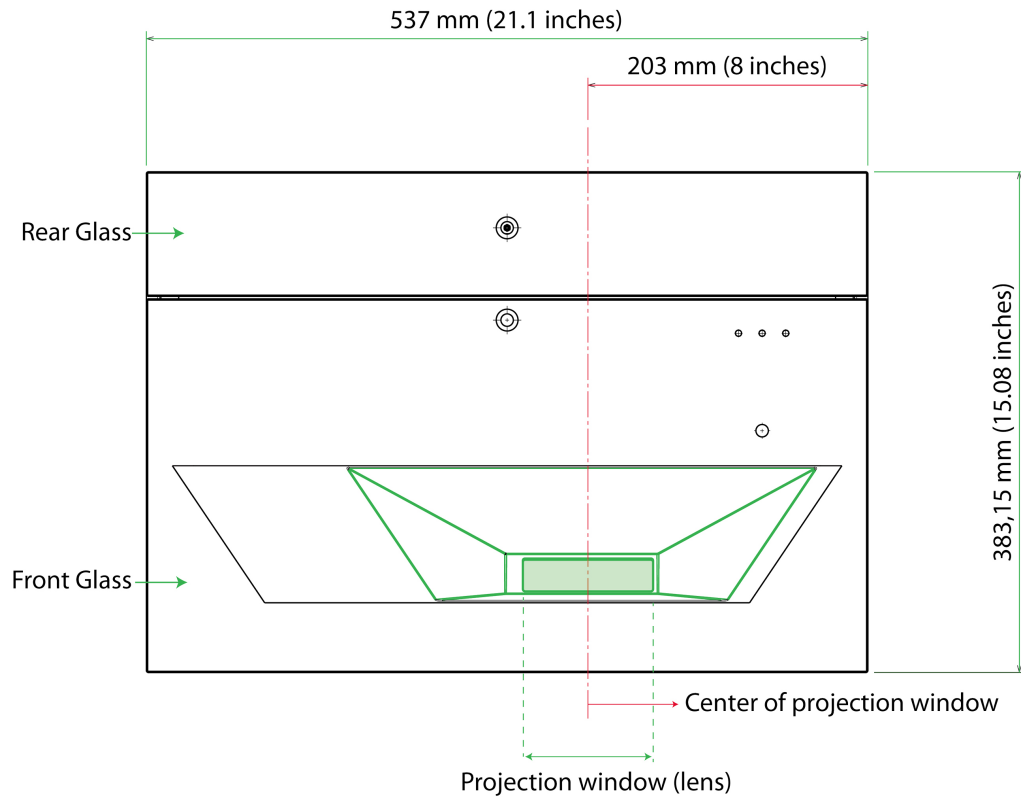
NOTE: The following table is just an example and is based on average values. Please refer to the Installation Distance document provided with your SIM2xTV unit.

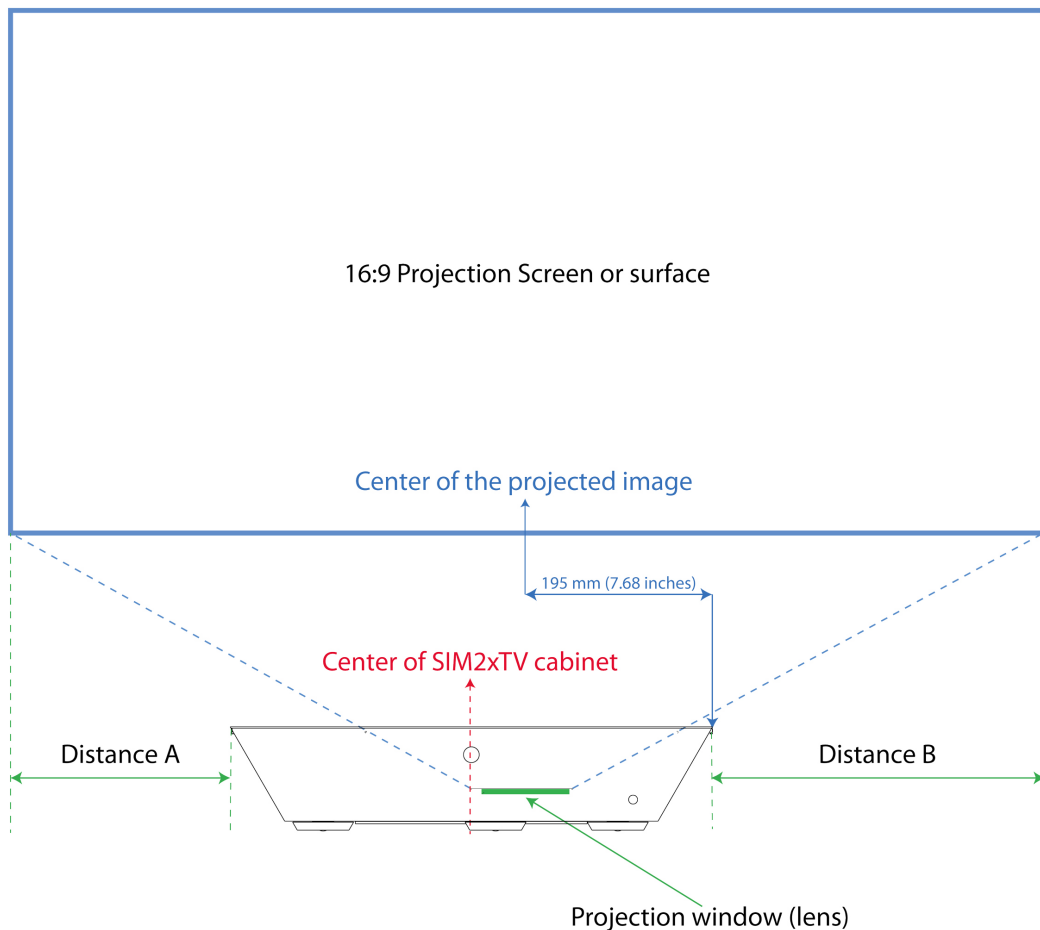
Image Diagonal Dimension	Screen Width		Screen Height		Distance		Shift	
	inch	cm	inch	cm	inch	cm	inch	cm
85"	189	74"	106	41"	15,2	5.98"	18,6	7.32"
90"	199	78"	112	44"	17,8	7.0"	20	7.87"
95"	210	82"	118	46"	20,6	8.11"	21,2	8.35"
100"	221	87"	125	49"	23,6	9.29"	22,8	8.98"
105"	233	91"	131	51"	26,7	10.51"	24,2	9.53"
110"	243	96"	137	54"	29,7	11.69"	25,6	10.08"

Note:

- Diagonal: Diagonal length (inch) size of 16:9 screen
- +/-5% tolerance
- Distance: distance from the crystal glass border to the screen
- Shift: length from the top crystal cover to the bottom of the screen
- The product should be horizontally placed

Please note that the SIM2xTV projection window (lens) is NOT positioned in the center of the unit, but slightly to the right (see image below for correct measurements). Image should be centered with the Projection surface accordingly.





Being the projection window shifted to the right of the center of the cabinet, Distance A is shorter than Distance B

Display an image (you may use the internal Test pattern; see the “OSD Menù Operation” chapter for more information) on the projection surface and adjust the picture so that it fits the surface.

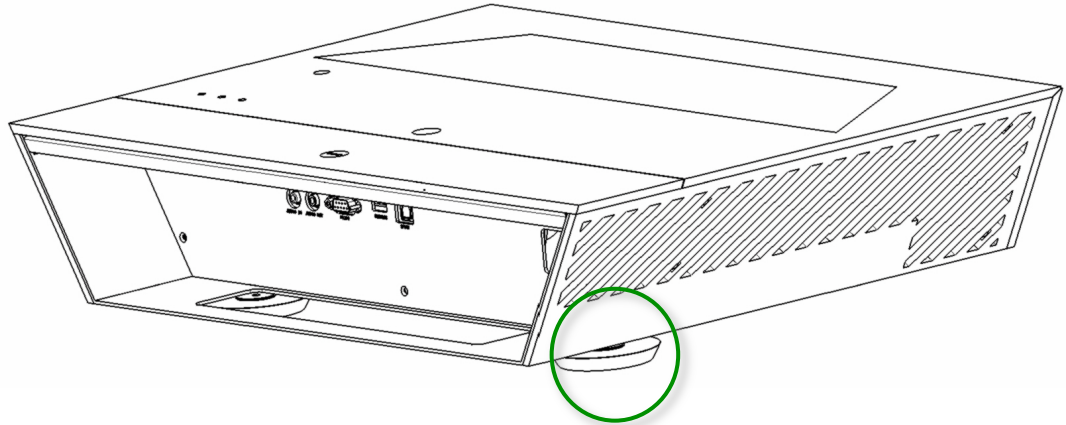
Notes:

1. The projection picture may be distorted if the projection surface is not flat.
2. When using a projection surface with an uneven surface (i.e. wall), stripes may seldom appear on the surface depending on the distance between the projection surface and the SIM2xTV. This is not a malfunction of the SIM2xTV.

Adjusting the projected image

Adjusting the projector's image geometry

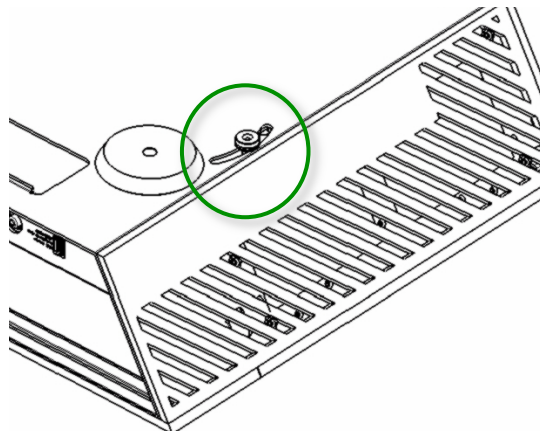
The projector is equipped with elevator feet for adjusting the image geometry. Rotate the adjustable ring clockwise to raise the projector or counterclockwise to lower it. Repeat with the remaining feet as needed.



Adjusting the focus of the projector

To focus on the image, slide the focus ring (placed at the bottom of the projector) until the image is clear.

The focusing range of the projector is for images between 85 – 110 inches (diagonal).



Connections

Proceed as follows to connect the SIM2xTV to video sources, control devices, and AC power.

When connecting your equipment:

- turn off all equipment before making any connections;
- use the correct signal cables for each source;
- make sure cables are routed so that people are not impeded or become a trip hazard;
- ensure that the cables are securely connected (tighten the thumbscrews on connectors that have them);
- Often the sources (Blu-ray Players, Set Top Boxes, Game Consoles and so on) have several outputs. Choose HDMI whenever possible.

HDMI

The major benefits of this signal type are:

- best image quality, because the signal is carried in the digital domain throughout the entire signal path;
- highest available resolution, because video sources can deliver full resolution content via HDMI only;
- availability of 3D content, because most 3D compatible sources deliver 3D content from HDMI only;
- optimization of several image parameters (2D/3D content, color space, aspect, signal range, over scan), thanks to auxiliary information (AVI infoframe) sent by the source device together with the signal.

If your source has dual HDMI outputs, we would recommend direct connection to the projector from one of the HDMI connections and the second HDMI output to the input of an appropriate AV receiver/processor for audio.

Sources with a DVI-D output can be connected to the HDMI input of the projector using a suitable DVI-D to HDMI cable. In this case no auxiliary information is sent from the source to the projector.

Note: HDMI uses a code known as HDCP (High-bandwidth Digital Copy Protection), which protects the recorded supports from being copied illegally. The connection between the source and display require that the two devices perform a handshake and exchange code keys before being able to display an image. The InstaPort technology allows a simultaneous pre-authentication of every attached device at the same it is connected, reducing drastically the time required for HDMI source switching. For this reason you may note a slight delay before the image appears on the screen, but it is perfectly normal.

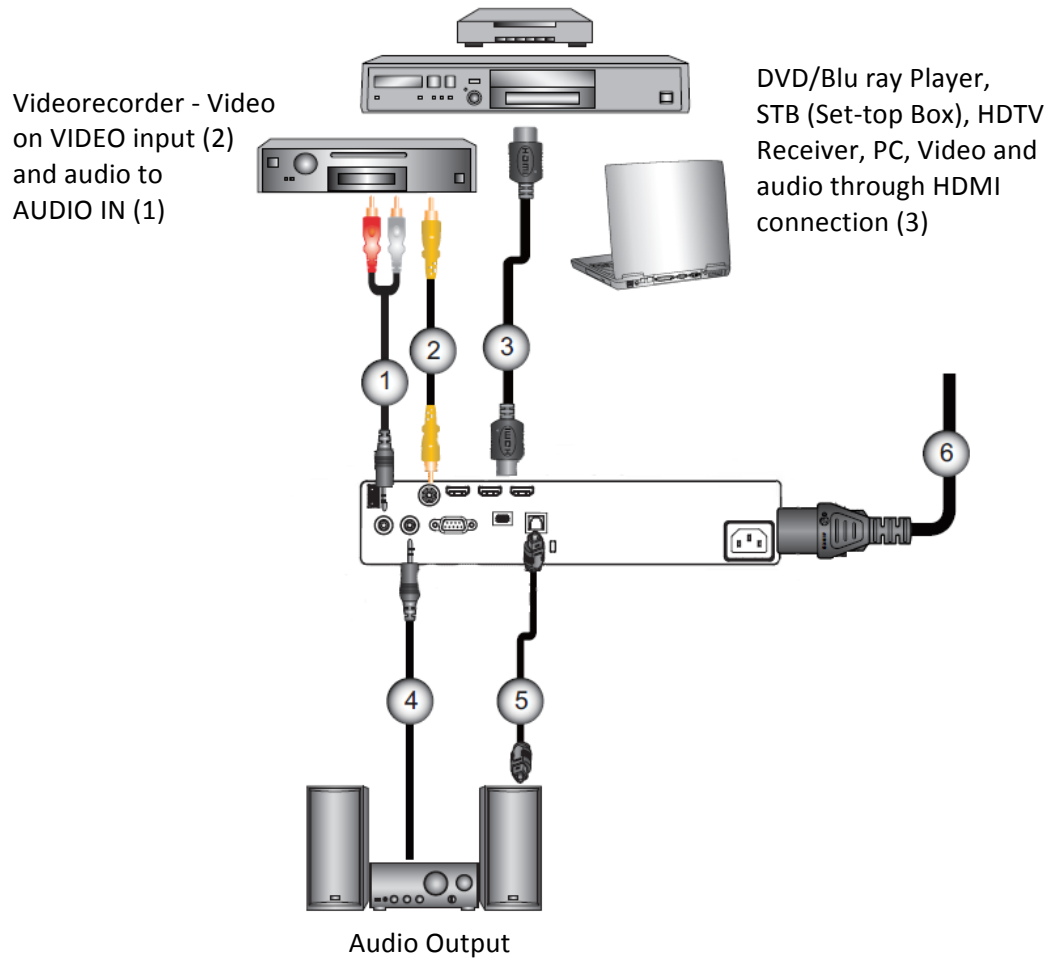
Video

This is the input for composite video sources (such as VCR or camcorders).

AC Power

Plug the female end of the power cord to the AC receptacle located on the left hand side of the projector (100-240 V AC, 50-60 Hz) and the other end into a grounded AC outlet. An high-quality surge protector is recommended while a UPS is optional.

Example of audio and video connections




1. Analogic audio input cable
2. Composite video cable
3. HDMI cable
4. Analogic audio output cable (for amplifiers with analogic input)
5. SPDIF cable (for amplifiers with digital input)
6. Power cord

NOTE: Due to the difference in applications for each country, some regions may have different accessories.




Powering On/Off the projector

Powering On the projector

1. Securely connect the power cord and signal cable. When connected, the POWER/STANDBY LED will turn Orange.
2. Turn on the projector by pressing “” button on the remote. At this moment, the POWER/ STANDBY LED will now turn Blue.
3. Turn on the power (computer, laptop, video player, etc.) of the signal source that you want to display on the screen.

If multiple sources are connected at the same time, press the Signal Source button on the remote to switch input.

Powering Off the projector

1. Turn off the power of the projector by pressing the “” button on remote. After the “” button is pressed, the fan cooling system will be turn on and meanwhile the device will be turned off.
2. Cooling fans will process heat dissipation after continually running about 4 seconds, power LED will turn red after flashing blue. If you want to turn the projector back on, you have to wait until the projector has completed the cooling cycle and has entered standby mode. Once in standby mode, simply press “” button to restart the projector.

Warning Indicator

When the warning indicator (as described below) turns on, the projector will automatically turn off:


- “Lamp” LED indicator is lit red;
- “Temp.” LED indicator flashes red;
- “Temp.” LED indicator is lit red, this indicates the projector has overheated. Under normal conditions, the projector can be switched back on.

Unplug the power cord from the projector, wait for 30 seconds and try again. If the warning indicator is still lit, please contact the nearby service center for help.


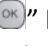
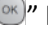

NOTE: Please contact the nearest service center if the projector appears such failure phenomenon.

4 User Control

OSD Menu Operation

1. Connect to power cord, and press “” power key to start, you will see the start-up screen as below:



2. To enter the OSD menu, press “” Menu button on the remote control. The main menu gives access to all projector adjustments. It is divided in four main sections:
 - **Picture**
 - **Sound**
 - **3D**
 - **Setting**with various item and submenus in each of them.
3. When displaying OSD, use the ◀ ▶ button to select an item on the main menu, and press the “” button to enter the sub menu.
4. Use the ▲ ▼ button to select the item required to be adjusted in the sub menu, and press the “” button to see more settings.
5. To exit, press the “” button. The OSD menu will be closed, and the projector will automatically save the new settings.

Picture

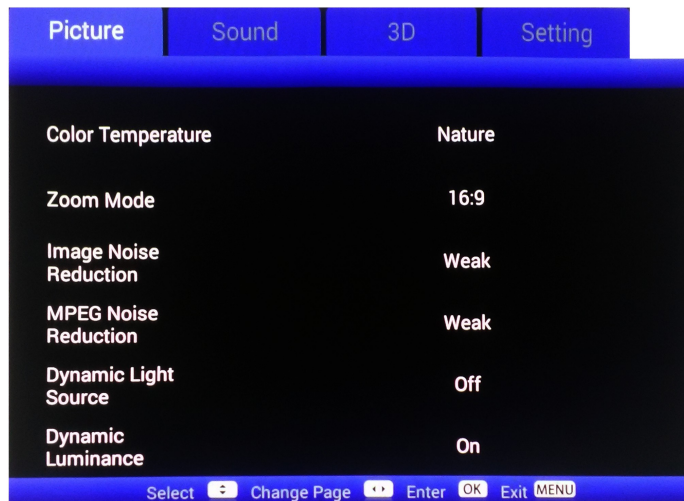
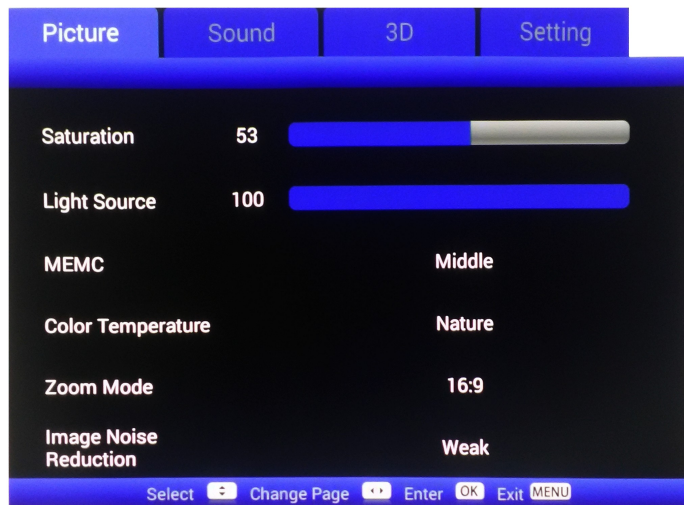
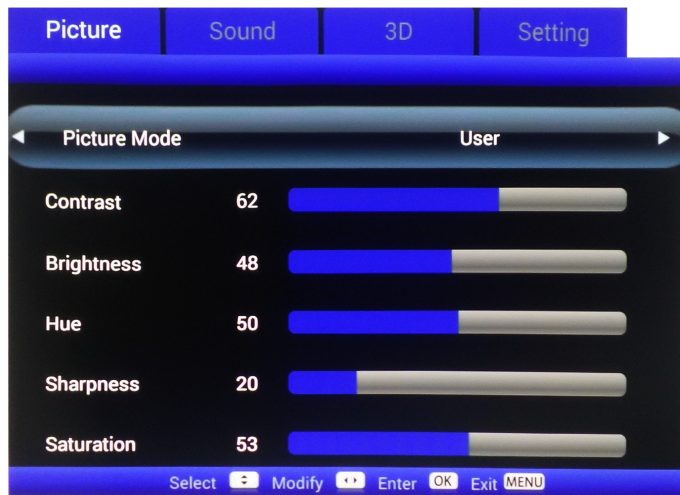
This menu section provides access to common image quality adjustments. Adjustments not available for a given input are not accessible in the menu.



Picture Mode

Picture Mode includes seven factory presets optimized for various types of images: natural, dynamic, cinema, game, computer, sports and user.

- **NATURAL:** this mode is intended to reproduce, as close as possible, the image the way the movie director intended. Color, color temperature, brightness, contrast, and gamma settings are all configured to standard reference levels.
- **DYNAMIC:** optimized for displaying photographic images. This mode tend to over saturate the colors to exalt the image displayed.
- **CINEMA:** default settings for home theater.
- **GAME:** the best settings for game station.
- **COMPUTER:** maximum brightness from PC input.
- **SPORTS:** image optimized for sport events
- **USER:** user's settings. In the User mode, users can adjust settings by themselves, such as screen contrast, brightness, color, sharpness, saturation, light source, Pure Motion and Color temperature.



Contrast (only in User mode)

The contrast controls the degree of difference between the lightest and darkest parts of the picture. Use this control to adjust the image's white level without affecting its dark areas. For correct adjustment it may prove useful to display a gray scale test pattern with at least twenty bands. Now try to increase the brightness of the white band as much as possible while ensuring that it can still be distinguished from the adjacent band with brightness slightly less than white. Alternatively use a scene composed of well-lit white objects surrounded by light objects with lower level lighting, and try to ensure that all the objects can be separately identified.

Press ◀ to decrease the contrast.

Press ▶ to increase the contrast.

Brightness (only in User mode)

Adjust the brightness of the image.

Use this control to adjust the darker areas of the picture (black level), without affecting bright areas. Increasing the value will give more detail in darker parts of the picture. For correct adjustment it may prove useful to display a gray scale test pattern with at least twenty bands. Now try to reduce the brightness of the black band as much as possible while ensuring that it can still be distinguished from the adjacent band with brightness slightly higher than black. Alternatively use a scene composed of black objects alongside other dark colored objects and try to ensure that all the objects can be separately identified. Brightness adjustment is disabled if "Dynamic Luminance" option is ON.

Press ◀ to darken the image.

Press ▶ to lighten the image .

Hue (only in User mode)

Adjust the color balance of red and green

This adjustment controls the purity of colors. Basically it determines the red-green ratio of the picture. Decreasing the value increases the red content of the image, increasing it increases the green content. For this adjustment use skin tones or a test card image with color bars as a reference. This adjustment is primarily used for NTSC sourced material.

Press ◀ to increase the amount of green in the image

Press ▶ to increase the amount of red in the image

Note: Tint is only supported for composite.

Sharpness (only in User mode)

Adjust the sharpness of the image.

This adjustment increases or decreases the level of picture detail. When the sharpness value is reduced the image details appear less pronounced, while increasing the value raises image definition, making the outline of objects sharper. Note that an excessively large value may result in a noisy picture and the outline of images will have a high amount of edge enhancement.

Press ◀ to decrease the sharpness

Press ► to increase the sharpness

Saturation (only in User mode)

Adjust a video image from black and white to fully saturated color. This control (also called Saturation) increases or decreases the picture color intensity. When set to zero, color images are shown in black and white. Increase the value until the colors appear natural: suitable references include skin tones and the green in grass in landscape shots.

Press ◀ to decrease the color saturation in the image

Press ► to increase the color saturation in the image

Note: Color is only supported for composite source.

Light Source

Light Source adjustment changes laser output power.

Pure Motion

Pure Motion uses sophisticated algorithms to ensure that the natural movement in the image is preserved. The available options are *Off*, *Low*, *Middle* and *High*.

Color Temperature

Select a color temperature (white point) from “Nature”, “Warm” and “Cold”.

Aspect Ratio

This adjustment changes the dimensions and aspect ratio (relationship between width and height) of the displayed image. The following aspects are available:

- **4:3:** this format is for 4x3 input sources.
- **16:9:** this format is for 16x9 input sources, like HDTV and DVD enhanced for Widescreen TV.

Image Noise Reduction

This adjustment lets you choose the value of the noise reduction filter. The Noise Reduction reduces the amount of visible interlaced signals. The possible setups are: Off, Weak, Middle, Strong, and Auto.

Press ◀ or ► buttons to select the desired setup.

MPEG Noise Reduction

This adjustment lets you choose the value of the noise reduction filter. The Noise Reduction reduces the amount of visible interlaced signals. The possible setups are: Off, Weak, Middle, and Strong.

Press ◀ or ► buttons to select the desired setup.

Dynamic Light Source

This adjustment increases or decreases dynamically the laser output power based on the projected image.

Dynamic Luminance

This adjustment controls dynamically the brightness, increasing or decreasing the brightness value based on the content being displayed

Sound

This menu allows the setting of the audio parameters. Settings like “speaker output” and “SPDIF output” are available.



Speaker output

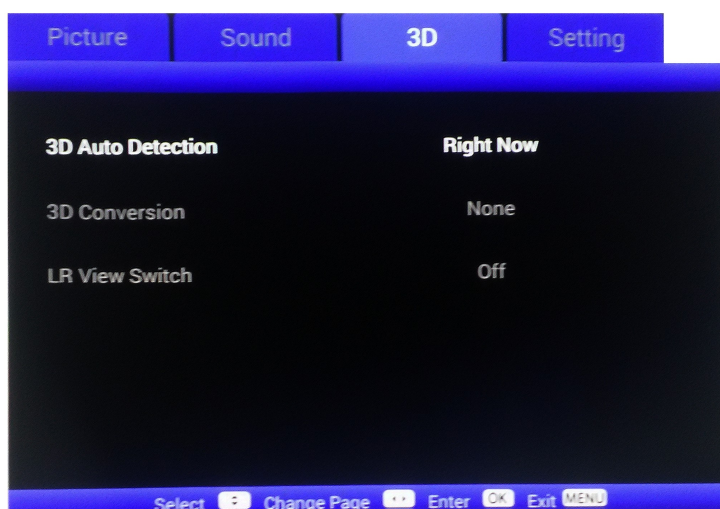
It allows you to disable the internal loudspeaker.

SPDIF output

It allows you to choose the SPDIF output and select either a RAW or PCM format.

3D Setting

This menu allows you to choose and manage 3D options.



Settings like “3D auto detection”, “3D format conversion” and “Left and right view switch” are available.

3D Auto Detection

The SIM2xTV checks AVI info frame data and input signal resolution in order to determine the appropriate 3D format.

This setting controls the automatic detection of a 3D format. The possible choices are: “Off” (automatic detection is set to off), “Right now” (automatic detection is always active), and “When Source Changes” (automatic detection activates upon change of input source).

3D Conversion

When the automatic detection of a 3D format is not possible, choose one of the following options:

- **Auto:** Display the native format;
- **SBS - Side by Side:** Display 3D signal in “side by side” format. Left and right halves of the image are separated, rescaled and displayed. This mode should be applied to 3D images composed of two stereoscopic images compressed to half of their original horizontal resolution and sent simultaneously;
- **TB - Top and Bottom:** Display 3D signal in “Top and Bottom” format. Top and bottom halves of the image are separated, rescaled and displayed. This mode should be applied to 3D images composed of two stereoscopic images compressed to half of their original vertical resolution and sent simultaneously.

- **FS - Frame Sequential:** Display 3D signal in “Frame sequential” format. This mode should be applied to 3D images that consist of a sequence of alternating frames wherein each successive frame carries the image meant for one or the other eye.

LR View Switch

You may need to change the order in which left and right frames are displayed. Sometimes the easiest way to check if the image destined for the left/right eye reaches the correct eye, is to pause the program content.

- ON: invert left and right frame contents.
- OFF: for default frame contents.

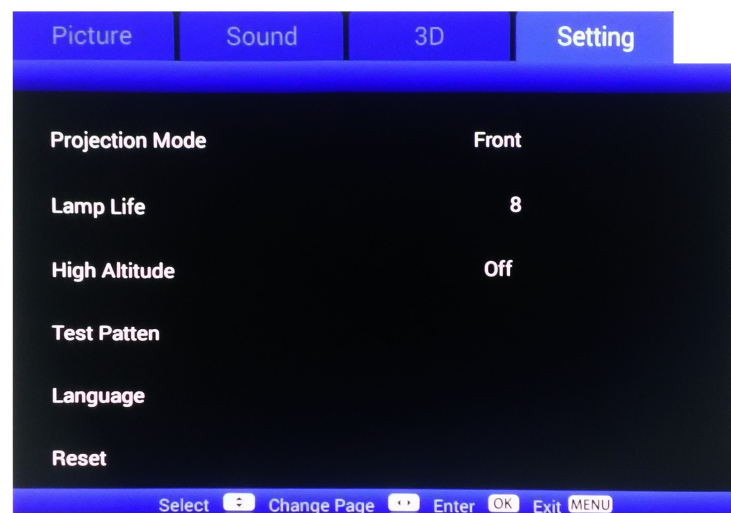
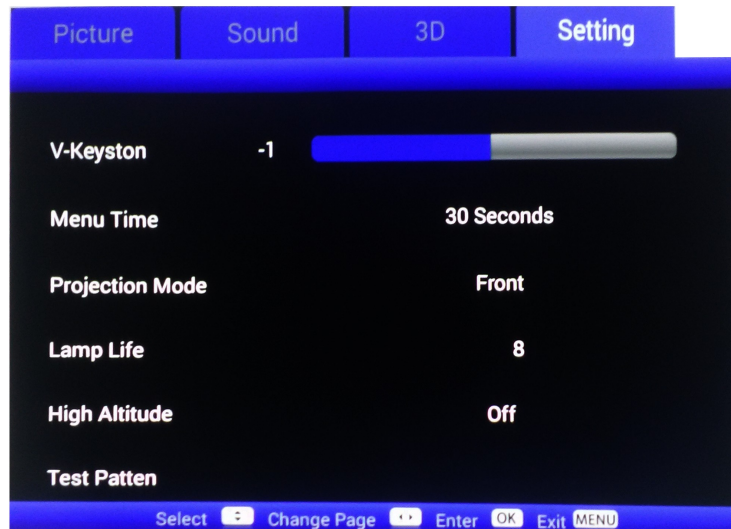
Supported 3D Video Formats

Compatible 3D formats are listed below:

INPUT RESOLUTION	INPUT TIMING		
HDMI 1.4° 3D INPUT	1280 X 720p @ 50 Hz	Top and Bottom	
	1280 X 720p @ 60 Hz	Top and Bottom	
	1280 X 720p @ 50 Hz	Frame Packing	
	1280 X 720p @ 60 Hz	Frame Packing	
	1920 x 1080i @ 50 Hz	Side by Side (Half)	
	1920 x 1080i @ 60 Hz	Side by Side (Half)	
	1920 X 1080p @ 24 Hz	Top and Bottom	
	1920 X 1080p @ 24 Hz	Frame Packing	
HDMI 1.3 3D CONTENT	1920 x 1080p @ 60 Hz	Side by Side (Half)	While 3D Format is “SBS”
	1920 x 1080i @ 50 Hz		
	1920 X 1080i @ 60 Hz		
	1280 X 720p @ 50 Hz		
	1280 X 720p @ 60 Hz		
	1920 x 1080p @ 60 Hz	Top and Bottom	While 3D Format is “Top and Bottom”
	1920 x 1080i @ 50 Hz		
	1920 X 1080i @ 60 Hz		
	1280 X 720p @ 50 Hz		
	1280 X 720p @ 60 Hz		
480i	HQFS	While 3D Format is “Frame Sequential”	

Setting

This menu allows you to control the general settings of SIM2xTV.



V Keystone

Press ◀ or ▶ to adjust image distortion vertically and make a squarer image.

Menù Time

Allows you to adjust how long a period of OSD button inactivity the SIM2xTV will wait before closing the OSD Menu.

Projection Mode

Selects the orientation of the projected image. Press ← to select one of the four preset orientations.

- Front: this is the default selection. The image is projected straight on the screen.
- Front-Ceiling: when selected, the image will turn upside down
- Rear: when selected, the image will appear reversed
- Rear-Ceiling: when selected, the image will appear reversed in upside down position

Note: Rear-Desktop and Rear-Ceiling are to be used with a translucent screen.

Lamp Life

This menu shows the laser operating time (hours).

High Altitude

When "On" is selected, the fans will spin faster. This feature is useful in high altitude areas where the air is thin.

Test Pattern

Enters internal test patterns, that are needed for installation purpose.

Press ← to display the test patterns (Grid).

Press menu to exit the test patterns.

Note: OSD menus are not available while test patterns are displayed.

Language

Selects the desired OSD language.

Reset

Allows you to reset the display parameters on all menus to the factory default settings.

.

5 Appendices

Regulation & Safety Notices

This appendix lists the general notices of your projector.

Notice: Shielded cables

All connections to other computing devices must be made using shielded cables to maintain compliance with FCC regulations

Caution

Changes or modifications not expressly approved by the manufacturer could void the user's authority, which is granted by the Federal Communications Commission, to operate this projector.

Operation conditions

This device complies with CCC Rules. Operation is subject to the following two conditions:

1. This device may not cause harmful interference.
2. This device must accept any interference received, including interference that may cause undesired operation.

Notice: Canadian users


This Class B digital apparatus complies with Canadian ICES-003.

Remarque à l'intention des utilisateurs canadiens

Cet appareil numérique de la classe B est conforme a la norme NMB-003 du Canada.

Declaration of Conformity for EU countries

- EMC Directive 2004/108/EC (including amendments).
- Low Voltage Directive 2006/95/EC.
- R & TTE Directive 1999/5/EC (if product has RF function).

Disposal Instructions	
	Do not throw this electronic device into the trash when discarding. To minimize pollution and ensure utmost protection of the global environment, please recycle it.

Trademarks

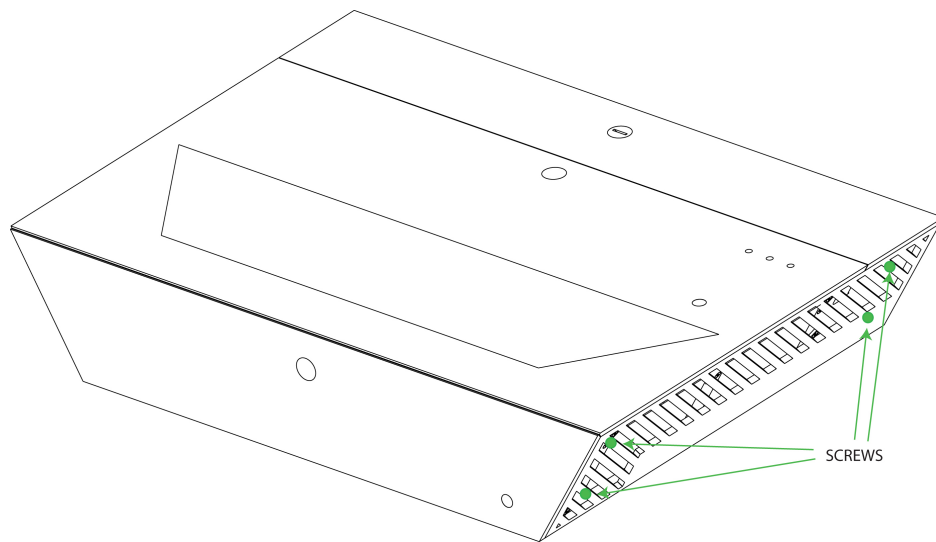
- DLP is trademark or registered trademark of Texas Instruments.
- HDMI, the HDMI Logo and High-Definition Multimedia Interface are trademarks or registered trademarks of HDMI Licensing LLC.
- Other product and company names mentioned in this user's manual may be the trademarks or registered trademarks of their respective holders.

Maintenance

- Use a soft dry cloth (ex. microfiber) to clean the display glass housing.
- Cleaning of the vents: SIM2xTV is equipped with removable and cleanable air filters. We recommend to clean the air filters periodically, especially if the display is installed in a location subject to heavy dust.

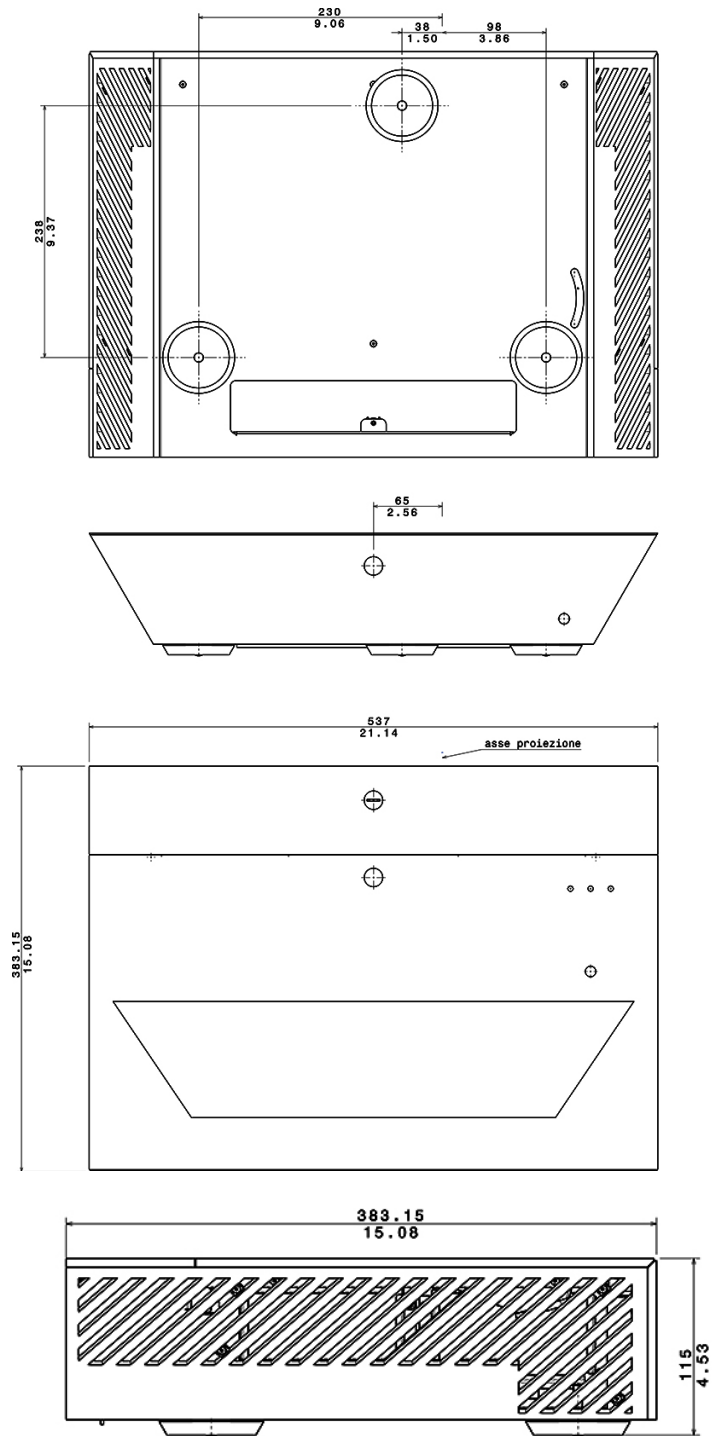
This operation should only be performed by trained and qualified personnel.

1. Turn off the SIM2xTV power and remove the power plug.
2. There are 4 air filters in the SIM2xTV: Two attached to the side panels, and two inside the display (see image below).
3. Remove the 4 screws and remove the side panel of the SIM2xTV.
4. Use a vacuum cleaner to clean off the dust from the filters on the side panels of the SIM2xTV.
5. Remove the two internal filters from the side panel with the intake air flow (see image below). These may be washed in water (please make sure that they are completely dry before putting them back).
6. Follow this procedure in reverse to install the air filters back in the display and close it.



6 Specifications

Projection Type	Digital Light Processing (DLP), 1-chip DLP Type: 0.65 in., 1920 x 1080
Light source:	LASER HYBRID (lifetime approx. 20.000 hours)
Contrast:	Adaptive
Brightness:	up to 2,900 Ansi lumens (in 2D mode)
3D features:	3D active technology - DLP Link 3D Features (1080p resolution)
Audible noise:	<28dB (Eco Mode)
Picture size:	85" - 110"
Projection Lens	High-quality glass 0,25:1 (+/-5% tolerance)
Inputs/outputs	3x HDMI (v.1.4a - HDCP 1.3) 1x Composite Video (RCA) 1x RS-232 (D-sub 9 pins) (Service only) 1x miniUSB (B type - Service) 1x USB (A type - host mode) 2x 3.5mm jack/stereo audio 3x IR Receivers
Size and Weight	<ul style="list-style-type: none">• Depth: 383.15 mm (15.08 in. - lens included)• Width: 537 mm (21.1 in.)• Height: 115 mm (4.5 in. - lever feet included)• Weight: 13.5 kg (29.8 lb.) approx.
Minimum cooling:	1200 BTU/h



SIM2 BV International S.r.l.

Viale Lino Zanussi, 11
33170 Pordenone – ITALY
Phone: + 39 0434 383292
Fax: +39 0434 383260
Email: info@sim2.it
www.sim2.com

SIM2 USA

SIM2 USA Inc.
10216 NW 47th Street
Sunrise, FL 33351
Phone: +1 (954) 442 2999
Email: sales@sim2usa.com
www.sim2usa.com

SIM2 BRIONVEGA Co., Ltd

Room 303-304, No. 244 Liaoning Road
Shanghai 200080 – CN
Phone/Fax: 86 1 62881991
Email: InfoCHINA@sim2.com

(EN/4.4)